

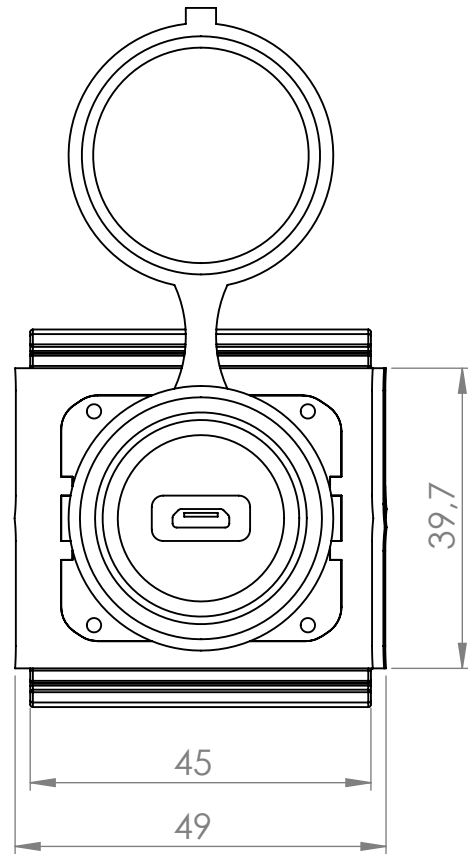
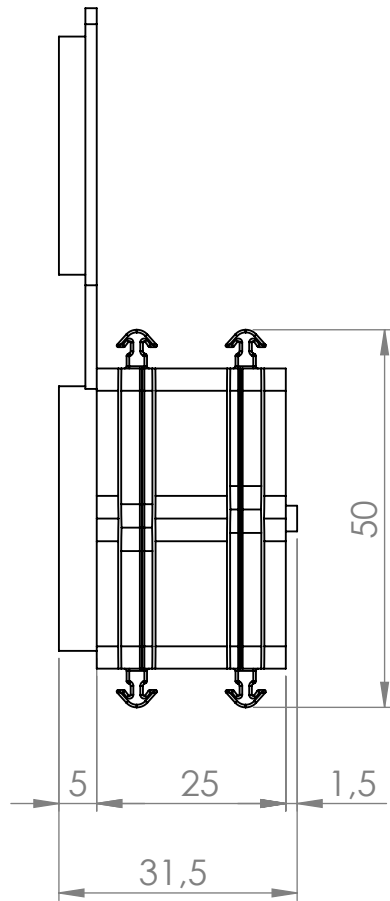
A

B

C

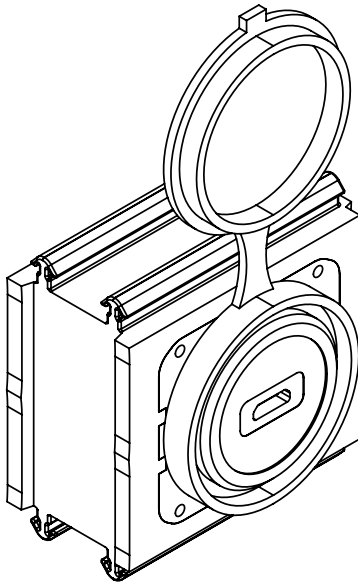
D

1



2

3



4

**Flammability:** UL94-V0, self-extinguishing  
**Temperature:** -40°C ... +55°C  
**Properties:** halogen-free, silicone-free  
**Material:** thermoplastic elastomer TPE+PP+PF



PP+TPE

IP65

NEMA  
12, 4XHL3  
EN 45545-2

ECOLAB

UL94-V0

UV  
ISO 4892-2ARoHS  
COMPLIANT

APPROVED

Codice / Code

see table

Descrizione / Description

SPG WF22-USB MICRO

Rev.

000

Materiale / Material

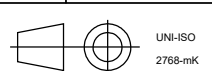
Colore / Color

Peso / Weight (g)

Unità di misura / Measure units

Formato / Format

Scala / Scale

UNI-ISO  
2768-mkBody: TPE  
Internal part: PP+PF

Black

-

mm

A4

1:1



www.detasultra.com

Data / Date  
03/10/2022Numero foglio / Sheet number  
1/1Numero progetto / Project number  
1731020925Disegn. / Drawn  
Pozzi F.

Note / Notes

-

A

B

C

D